

RELAX

Guy Bonneville

BLAM

DRIVEN BY PASSION

BM 200XF

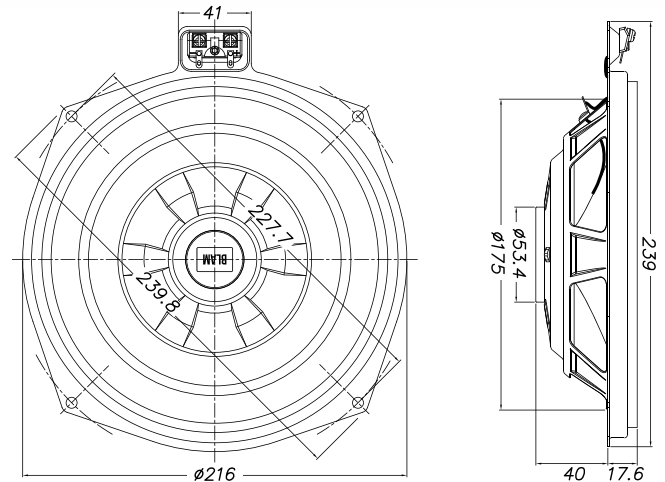
speaker

- 200 mm 8" extra flat underseat subwoofer for BMW
- Max power 120 W - RMS power: 60 W
- Frequency response: 40 Hz – 500 Hz
- Sensitivity (2.83V/1m) 88 dB

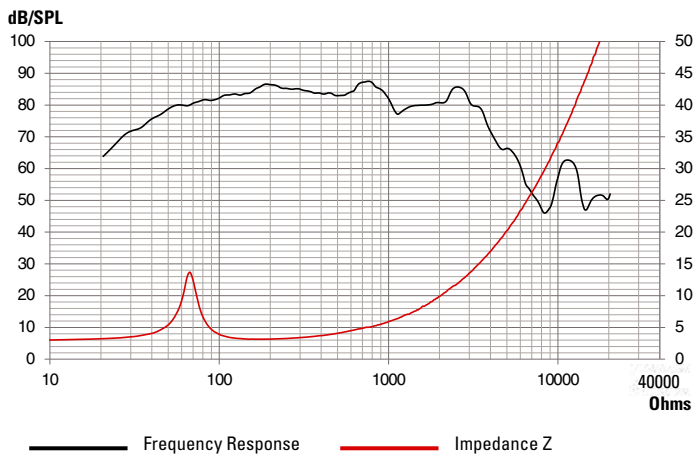


TECHNICAL SPECIFICATIONS

Component	Speaker	
Max power	120 W	
Nominal power	60 W	
Impedance	3 Ω	
Freq. Response	40 Hz - 500 Hz	
Sensitivity (2,83V/1m)	88 dB	
Magnet	Neodymium	
Magnet size Ø x h	31,4 x 10 mm	1,236" x 0,394"
Total driver displacement	0,6 l	0,003 cf
Weight of one component	0,565 kg	0,520 lb
Voice coil Ø	32 mm	1,260"
Voice coil height	10 mm	0,394"
Cone	Glass fiber	



FREQUENCY RESPONSE / IMPEDANCE



THIELE-SMALL PARAMETERS

effective Ø (d)	167 mm
Sd	219,04 cm ²
Xmax	-
Re	3,2 Ω
Fs	49,51 Hz
Le	196,95 µH @ 1 kHz
L2	624,33 µH @10 kHz
Vas	13,94 L
Mms	49,94 g
Cms	0,000207 m/N
BL	7,09 Tm
Qts	0,87
Qes	0,99
Qms	7,37
Sensitivity (dB/W/m)	84,2 dB

contact@blam-audio.fr
www.facebook.com/blamaudio
www.blam-audio.fr