

# RELAX

## 690 RS

### Woofer

- In-line 6 dB/oct high-pass cross-over ajustable tweeter level : 0 dB or -3 dB
- Frequency response 60 Hz - 20 kHz
- Power handling Max : 150W Nominal Power : 75W (RMS)
- Sensitivity 93 dB

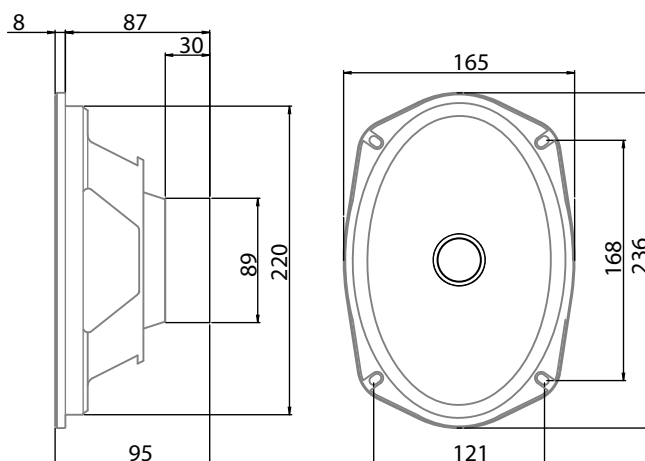
Guy Bonneville

**BLAM**  
DRIVEN BY PASSION

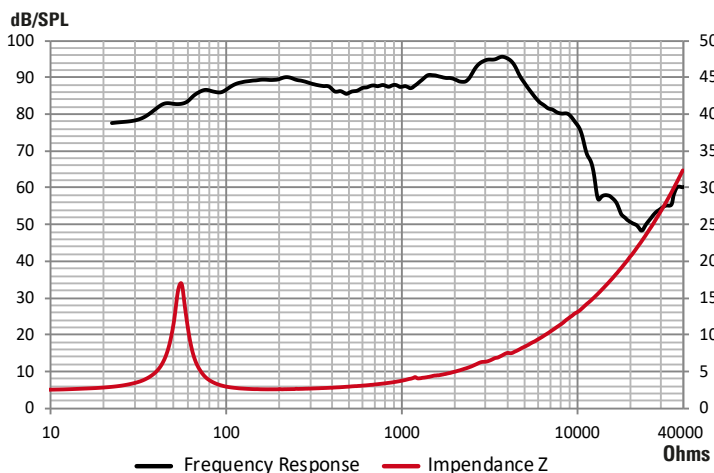


#### TECHNICAL SPECIFICATIONS

<b>Component</b>	Speakers	
<b>Max power</b>	150 W	
<b>Nominal power</b>	75 W	
<b>Impedance</b>	2 Ω	
<b>Freq. Response</b>	60 Hz - 20 KHz	
<b>Sensitivity (2,83V/1m)</b>	93 dB	
<b>Magnet</b>	Ferrite	
<b>Magnet size Ø x h</b>	85 x 17 mm	3,35" x 0,67"
<b>Total driver displacement</b>	0,3 l	0,011 cf
<b>Weight of one component</b>	1,05 kg	2,315 lb
<b>Voice coil Ø</b>	25 mm	0,984"
<b>Voice coil height</b>	11 mm	0,433"
<b>Cone</b>	Coated cellulose pulp	



#### FREQUENCY RESPONSE / IMPEDANCE



#### THIELE-SMALL PARAMETERS

<b>effective Ø (d)</b>	164,6 mm
<b>Sd</b>	212,79 cm <sup>2</sup>
<b>Xmax</b>	3 mm
<b>Re</b>	2,4 Ω
<b>Fs</b>	54,10 Hz
<b>Le</b>	101,12 µH @ 1 kHz
<b>Le</b>	216,50 µH @10 kHz
<b>Vas</b>	26,45 L
<b>Mms</b>	20,81 g
<b>Cms</b>	0,000416 m/N
<b>BL</b>	4,23 Tm
<b>Qts</b>	0,82
<b>Qes</b>	0,95
<b>Qms</b>	6,12
<b>Sensitivity (dB/W/m)</b>	88,4 dB

contact@blam-audio.fr

www.facebook.com/blamaudio

www.blam-audio.fr